



SUN LABS™



LABORATORY FURNITURE CATALOGUE



+919996547872



www.sunlabco.com



sunlabsindia@gmail.com

TABLE OF CONTENT

ABOUT US	03
MACHINERIES & CERTIFICATES	04
LABORATORY FURNITURE - BENCH & HOOD	05
TABLES & FUME EXTRACTOR	06
LABORATORY FURNITURE - CABINET	07
LOCKER & WALL CUPBOARDS	08
PURE WATER FAUCET & PP SINK	08
REAGENT RACK FOR CENTRAL BENCH & GAS TAP	09
REAGENT RACK FOR SIDE BENCH & WATER DROP SHELF	09
DIFFERENT MATERIAL CAN BE CHOSEN	10
TERM & CONDITIONS	11
CONTACT INFORMATION	12



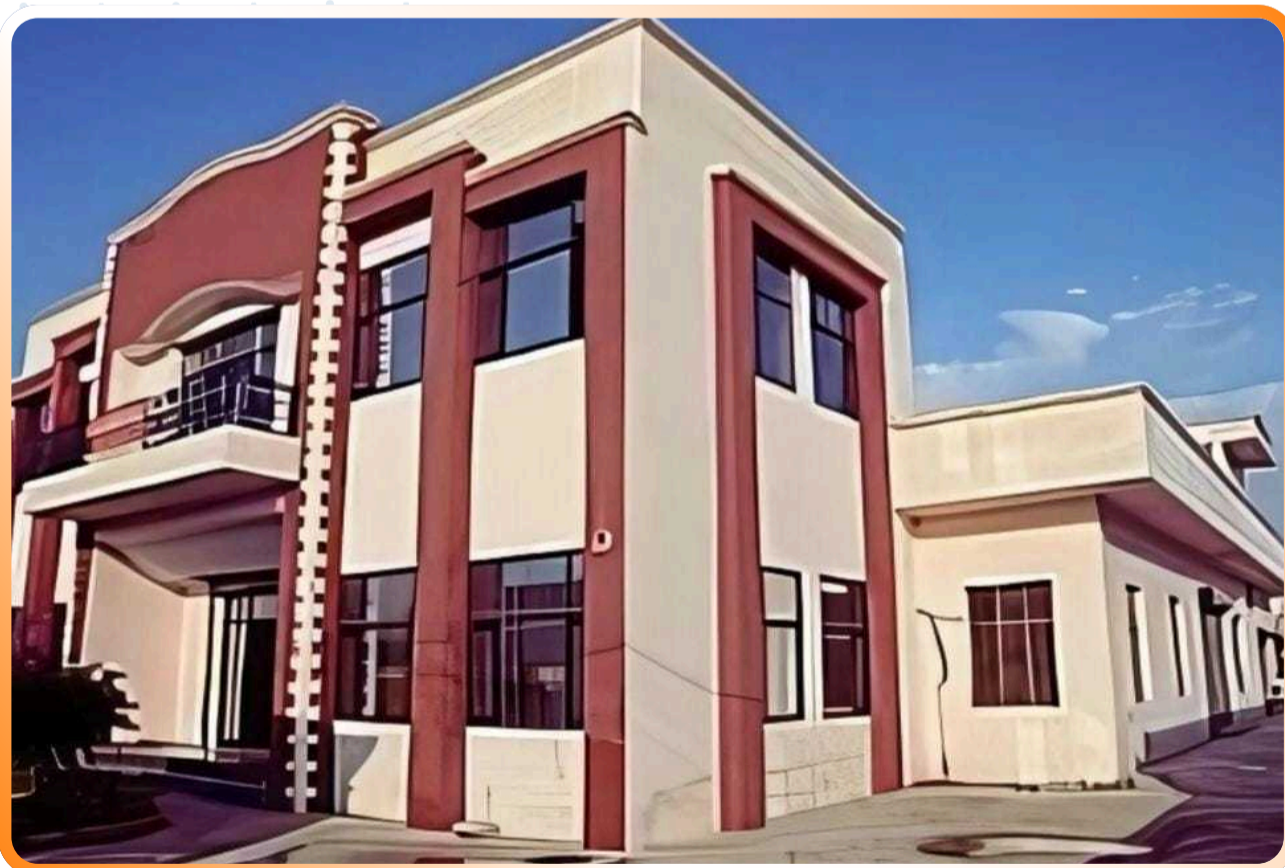
ABOUT US

Established in 2004 and **headquartered in Ambala Cantt, Haryana**, G.C Industries has built a strong reputation as a leading manufacturer of Laboratory Instruments and Lab Metalware. With a commitment to quality and innovation, we have steadily expanded our portfolio to include Laboratory Furniture manufacturing and complete turnkey laboratory projects, offering end-to-end solutions that meet the diverse needs of educational institutions, research centers, and industries.

Our operations are supported by two modern industrial units **located in Ambala and Saha**, with a combined covered **area of over 1,500 sq. meters**. Equipped with advanced machinery and skilled professionals, these facilities allow us to maintain the highest standards of fabrication, finishing, and durability.

Over the years, G.C Industries has successfully completed numerous laboratory projects across India, standing as a trusted partner to clients nationwide. Our commitment to excellence is validated by our credentials as an **ISO and CE Certified** as well as **MSME ZED Certified Organisation**, reflecting our adherence to international standards, sustainability, and continuous improvement.

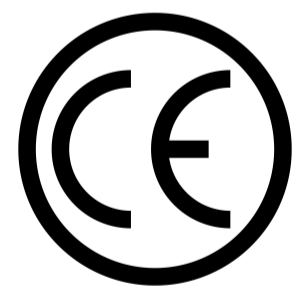
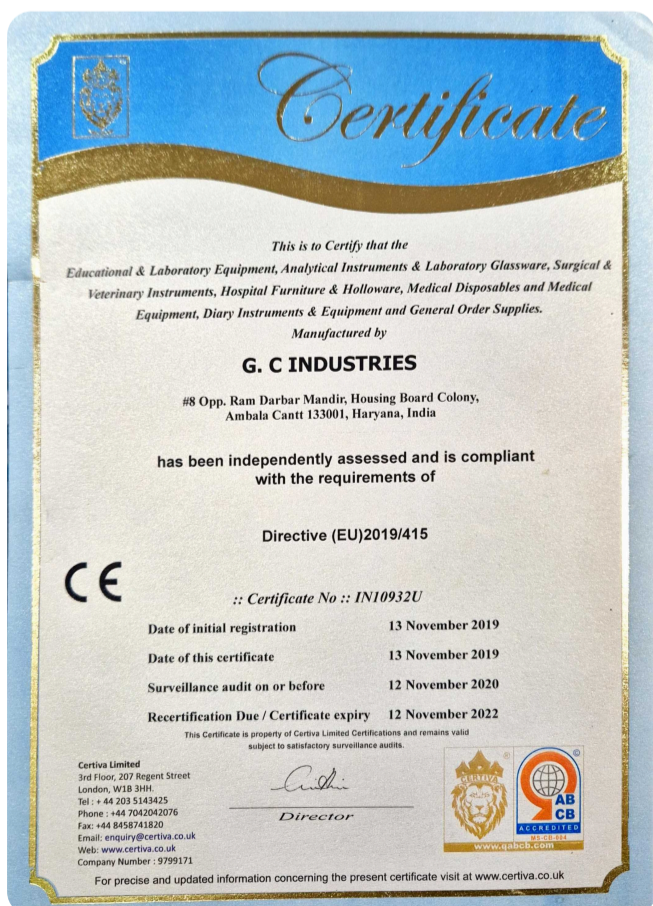
At G.C Industries, we don't just manufacture equipment — we create reliable, modern, and customized laboratory environments that empower progress in science, research, and education.



Machineries



Certificates



LABORATORY FURNITURE



01 Island Bench

Specification L*D*H(mm)
3000*1500*800mm
(Length*Depth*Height)

Frame: steel structure
 Table top: made of granite 18 to 19 mm thick corrosion-resistant black matt, one door one drawer;
 Cabinet: use high quality galvanized steel sheet, the surface is electro-sprayed by epoxy resin powder, color can be chosen according to color disc;
 Sideway: three section slide rail, no noise;
 Hinges: open type high quality hinges;
 Handle: aluminum alloy dark type handle;
 Accessories: reagent rack, sink, water drop shelf could be added
According to customers' request.

02 Side Bench

Specification L*D*H(mm)
L*750*800mm
(Length*Depth*Height)

Frame: steel structure
 Table top: made of granite 18 to 19mm thick corrosion-resistant black matt, one door one drawer;
 Cabinet: use high quality galvanized steel sheet, the surface is electro-sprayed by epoxy resin powder, color can be chosen according to color disc;
 Sideway: three section slide rail, no noise;
 Hinge: open type high quality hinge;
 Handle: aluminum alloy dark type handle;
According to customers' request.



03 Fume Hood

Specification L*D*H(mm)
1200/1500/1800*940*2350mm
(Length*Depth*Height)

Cabinet: use high quality galvanized steel sheet, surface is granite;
 Table top: use granite 18 to 19 mm thick anti-corrosion black matt;
 Inside lining, Air deflector: use 5mm COMPACT chemistry basal plate;
 Windows: explosion proof tempered glass, can hover at any height;
 Hinge: open type high quality hinge;
 Handle: aluminum alloy dark type handle;
 Light source: explosion proof fluorescent light;
 Electric power source: multi-function sockets;
 Sink: pp material special used for lab;
 Cock: single outlet cock special for lab;
According to customers' request.

LABORATORY FURNITURE

04 Sink Table

Specification L*D*H(mm)

1500*750*800mm
(Length*Depth*Height)

Table top: made of granite 18 to 19mm thick corrosion-resistant black matt, one door one drawer;
 Cabinet: use high quality galvanized steel sheet, the surface is electro-sprayed by epoxy resin powder, color can be chosen according to color disc;
 Sideway: three section slide rail, no noise;
 Hinge: open type high quality hinge;
 Handle: aluminum alloy dark type handle;
 Cock: three outlets cocks use high quality copper, the surface is coated by epoxy resin powder, use special for lab research;
 Sink: pp sink, acid-resistance, alkali-resistance and corrosionresistance, flexible;
According to customers' request.



05 Balance Table

Specification L*D*H(mm)

900*750*800mm
(Length*Depth*Height)

Frame: use high quality C-frame, the surface is coated by epoxy resin powder;
 Table top: made of granite 18 to 19mm thick corrosion-resistant black matt;
 Cabinet: use high quality galvanized steel sheet, the surface is electro-sprayed by epoxy resin powder, color can be chosen according to color disc;
According to customers' request.

06 Corner Table

Specification L*D*H(mm)

1000*1000*800mm
(Length*Depth*Height)

Table top: made of granite 18 to 19 mm thick corrosionresistant black matt;
 Cabinet: use high quality galvanized steel sheet, the surface is electro-sprayed by epoxy resin powder, color can be chosen according to color disc;
 Handle: aluminum alloy dark type handle;
According to customers' request.



07 Fume Extractor

90mm inner diameter for the top pipe. Joint: High grade PP, to be 360 degree swiveled, dismantled & assembled easily for cleaning;
 Joint seal ring: low-friction treated rubber; Support spring / center;
 bolt: stainless steel. Adjustable joint knob: high grade PP with a molded in brass nut locking with center bolt;
 Dome/cup hood: D375mm, high grade PP. All in white color.

LABORATORY FURNITURE

08 Vessel Cabinet

Specification L*D*H(mm)

900*400*1800mm
(Length*Depth*Height)

Structure: steel structure;
 Cabinet: use high quality galvanized steel sheet, the surface is packetized by acid and electro-sprayed by epoxy resin powder, color can be chosen according to color disc;
 Door panel: use galvanized steel sheet with glass door embed;
 steel with different hole equal distributed on it;
 Hinges: open type high quality hinges;
 Handle: aluminum alloy dark type handle;
According to customers' request.



09 Medicine Cabinet

Specification L*D*H(mm)

900*400*1800mm
(Length*Depth*Height)

Structure : steel structure, four doors;
 Cabinet : use high quality galvanized steel sheet, the surface is electro-sprayed by epoxy resin powder, color can be chosen according to color disc;
 Upper door panel: high quality galvanized steel sheet glass doors;
 Lower door panel: use high quality galvanized steel sheet faced chi oard;
 Hinges : open type high quality hinges;
 Handle : aluminum dark type handle;
According to customers' request.

10 File Cabinet

Specification L*D*H(mm)

900*450*1800mm
(Length*Depth*Height)

Structure: steel structure, four doors;
 Cabinet: use high quality galvanized steel sheet, the surface is electro-sprayed by epoxy resin powder;
 Upper door panel: cold-rolled steel sheet glass doors;
 Lower door panel: cold-rolled steel sheet faced chi oard;
 Hinges : open type high quality hinges;
 Handle : aluminum dark type handle;
According to customers' request.



LABORATORY FURNITURE



11 Wall Cupboard

Specification L*D*H(mm)

600/750/800/100*350*600mm
(Length*Depth*Height)

Cabinet: use high quality galvanized steel sheet , surface is electro-sprayed by epoxy resin;
Door panel: high quality galvanized steel with glass doors;
Handle: aluminum dark type handle;

According to customers' request.

12 Locker

Specification L*D*H(mm)

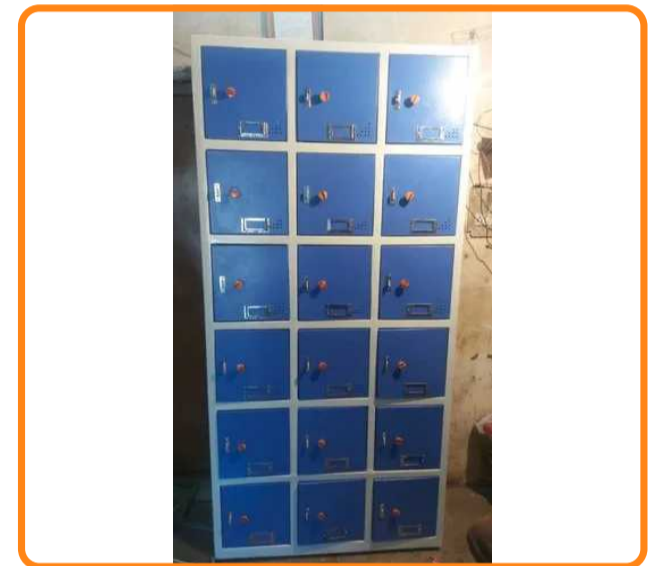
900*350*1800mm
(Length*Depth*Height)

Structure: galvanized steel sheet coat hanger;

Cabinet: use high quality galvanized steel sheet, the surface is electro-sprayed by epoxy resin powder;

Hinge: open type high quality hinge;

According to customers' request.



13 PP Sink

Specification L*D*H(mm)

Outer diameter: 550*450*310mm
Inner diameter: 480*380*300mm

Color: black, grey;

Material: high grade PP, resistant to most chemicals, such as: Aqua Regina; mas, thickness to 7mm, do not distort;

Finish: matt finish on lip, resistant to scratch consistent with most worktops finish;

Accessories: high grade PP overflow, stopper, filter/PP basket trap;

14 Pure Water Faucet

Specification L*D*H(mm)

Outer diameter: 550*450*310mm
Inner diameter: 480*380*300mm

Body: solid brass;

Coating: High gloss epoxy powder, resistant to most chemicals, UV fading & heat;

Headwork: 90° turn, 500,000 life cycles, water static pressure max.20 Bar;

Handle: Ergonomic, high grade PP/ABS knob.



LABORATORY FURNITURE

15 Lab Gas Tap

Specification L*D*H(mm)
180°

Body: solid brass;
Coating: high gloss epoxy powder, resistant to most chemicals, UV fading heat;
Headwork: needle valve;
Handle: ergonomic, high grade PP/ABS knob;
Available in : One-Way, Two-Way, Three-Way, Four-Way;



16 Water drop shelf

Specification L*D*H(mm)
400*120*550mm

Material: high grade PP/stainless steel;
Type: single faced/double faced, tray hole for water drainage;
Detachable pet: convenient for use;
Installation: panel mounted/deck mounted

17 Reagent rack for side bench

Specification L*D*H(mm)
W*150*H600 mm

Material: steel;
According to customers' request.



18 Reagent rack for central bench

Specification L*D*H(mm)
W*300*H600 mm

Material: steel;
According to customers' request.

DIFFERENT MATERIAL CAN BE CHOSEN

MATERIAL USAGE:

Worktop Material:

1. Granite Resin worktop
2. Phenolic Resin worktop.
3. Epoxy resin worktop.
4. Stainless steel worktop

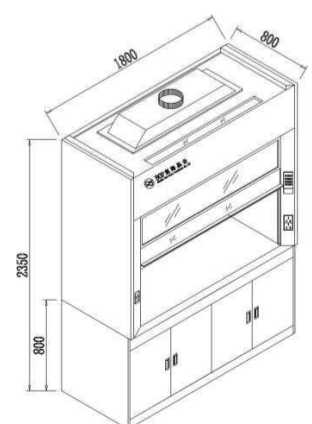
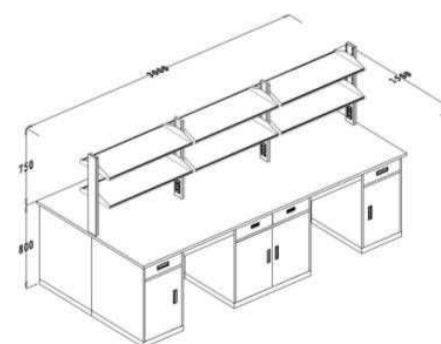
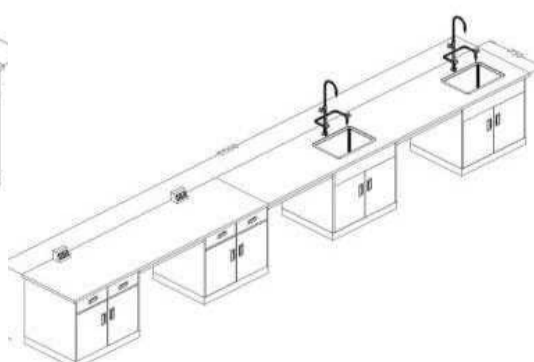
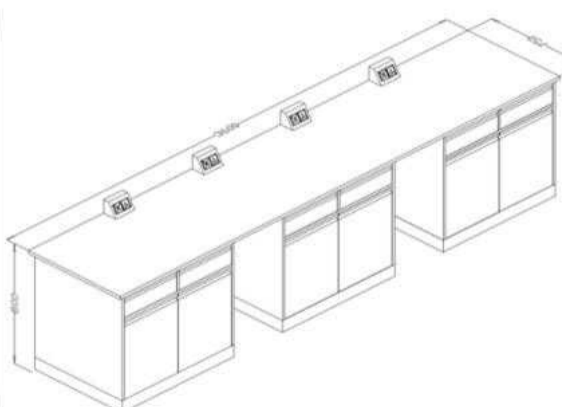
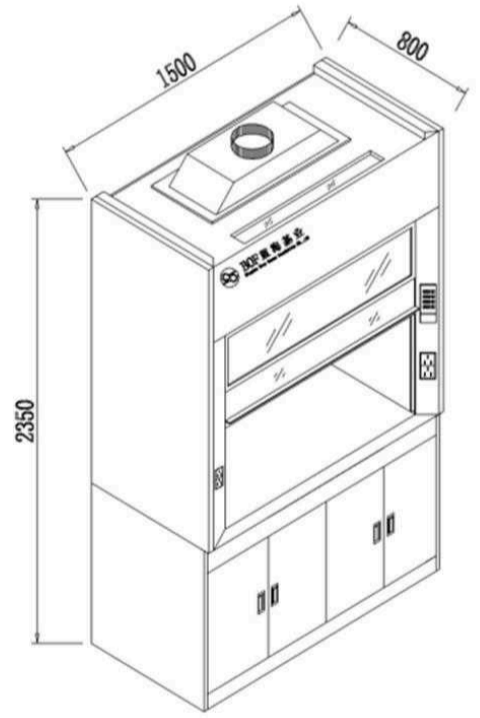
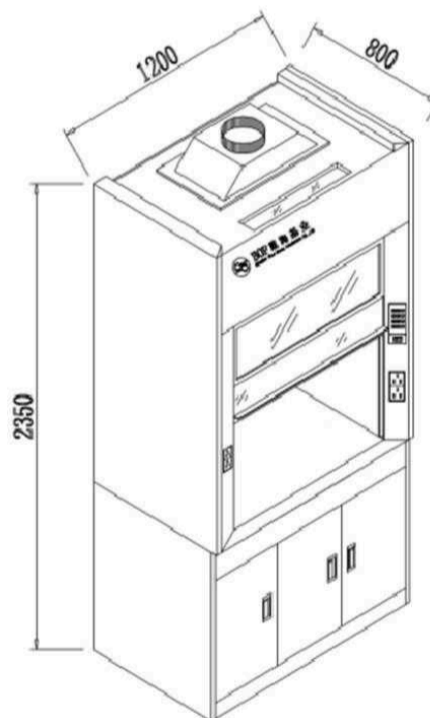
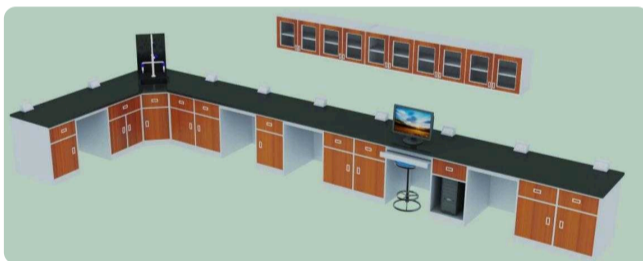
Body Material:

1. Full steel material.
2. Stainless Steel Material.
3. Steel frame and wood cabinet body.
4. Full wood

Material randomly selected Accessories:

1. Wall Cupboard.
2. Reagent Rack.
3. Socket.
4. Water pipe and gas road

Different Type and Size and Color Can Available, or you can send us your lab size we can make layout for you:



TERMS & CONDITIONS

- The Prices are ex-works Ambala, Haryana India only i.e. packing forwarding, freight and insurance will be charged extra.
- The prices can be changed without prior notice depending on Market Fluctuation of Raw material, labour or any other allied factors.
- All taxes and duties will be charged extra as per Govt. Rules applicable at the time of supply.
- Delivery within 05-10 days if stock available, if not, it will take 2-3 weeks.
- 40% value of order should be sent advance, for balance, documents will be negotiated through the bank or VPP/LC Goods are very securely packed and our responsibilities ceases when we deliver the goods to Transport, Railway or any other carrying agents.
- However specific instructions may be sent for insurance along with the order.
- Inspection, if any, will be done at our works premises.
- This price list cancels all our previous issues or quotations.
- Specifications and design of instruments are subject to change without any notice or obligation on the part of manufacturer for the advancement or modernizations.






Contact Information

Reach out to us for support or inquiries.

 # 8, OPP. RAM DARBAR MANDIR, NEAR HOUSING BOARD COLONY, AMBALA CANTT 133001 HARYANA

#255, HSIIDC, Industrial Growth Centre, Saha District Ambala 133001 Haryana

 +91-99919-78722
+91-98130-78722
+91-98120-78722

 Email ; sunlabsindia@gmail.com

 Website : www.labcarefurniture.com